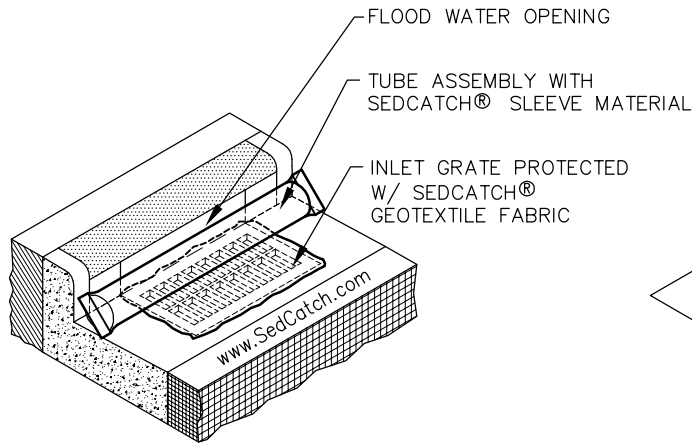


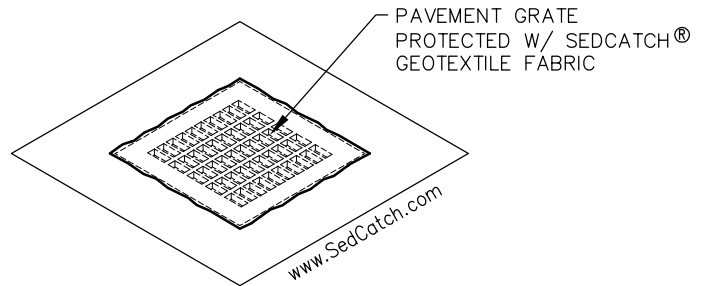
SedCatch® Grate Cover and Tube Inlet Protection

LEGEND

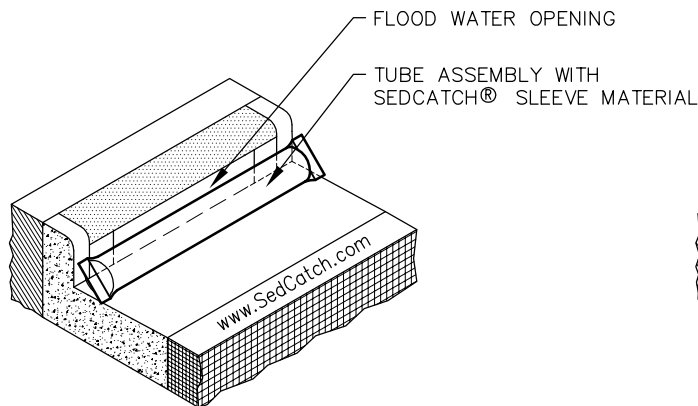
GC&T	GRATE COVER & TUBE
GC	GRATE COVER
TIP	TUBE INLET PROTECTION



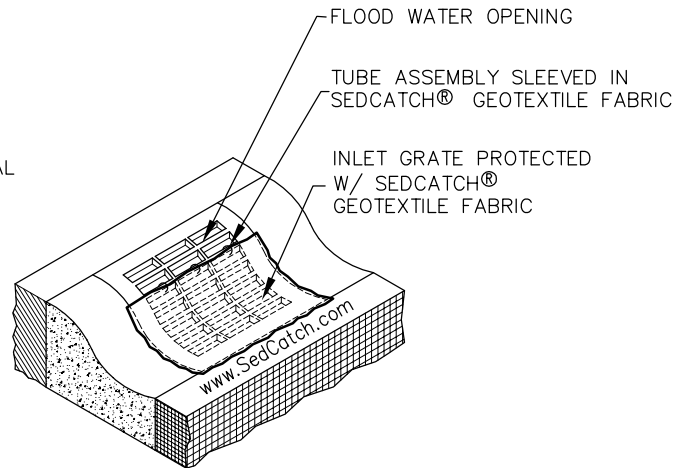
SedCatch® Grate Cover & Tube



SedCatch® Grate Cover



SedCatch® Tube Inlet Protection



SedCatch® Grate Cover

www.SedCatch.com

1. INLET PROTECTION SHOULD BE INSTALLED AT THE TIME THE STRUCTURE IS SET.
2. INSPECT AFTER EACH RAIN OR AS DIRECTED BY ENGINEER OR INSPECTOR.
3. REMOVE ANY ACCUMULATED SEDIMENT AFTER EACH RAIN.
4. GRATE COVER INSTALLATION; CUT A PIECE OF GEOTEXTILE 1 FOOT LARGER THAN GRATE. PLACE GRATE UPSIDE DOWN ON GEOTEXTILE. FOLD SIDES IN TOWARD AND SECURE. REPLACE GRATE.
5. TUBE ASSEMBLY AND INSTALLATION; CUT A PIECE OF SLEEVE MATERIAL 2 FEET LONGER THAN OPENING. CUT A CORRUGATED DRAIN PIPE ONE FOOT LONGER THAN OPENING. INSERT PIPE IN SLEEVE AND CLOSE ONE END WITH HOG RINGS OR OTHER METHOD. INSERT SCHEDULE 40, CONDUIT, OR TUBING THAT WILL KEEP THE PIPE STRAIGHT. FILL WITH TWO POUNDS OF GRAVEL PER LINEAL FOOT. CLOSE END. SECURE TO GRATE OR TO STAKES IN THE GRASS TO PREVENT TUBE FROM BECOMING A TRAFFIC HAZARD.
6. AS WITH ALL INLET PROTECTION DEVICES, CHECK TO SEE HOW DEEP THE WATER COULD RISE IF THE INLET WERE TO BE BLOCKED ENTIRELY. DO NOT INSTALL IF IT COULD CASUE PROPERTY DAMAGE OR POSE A SAFETY HAZARD TO TRAFFIC.